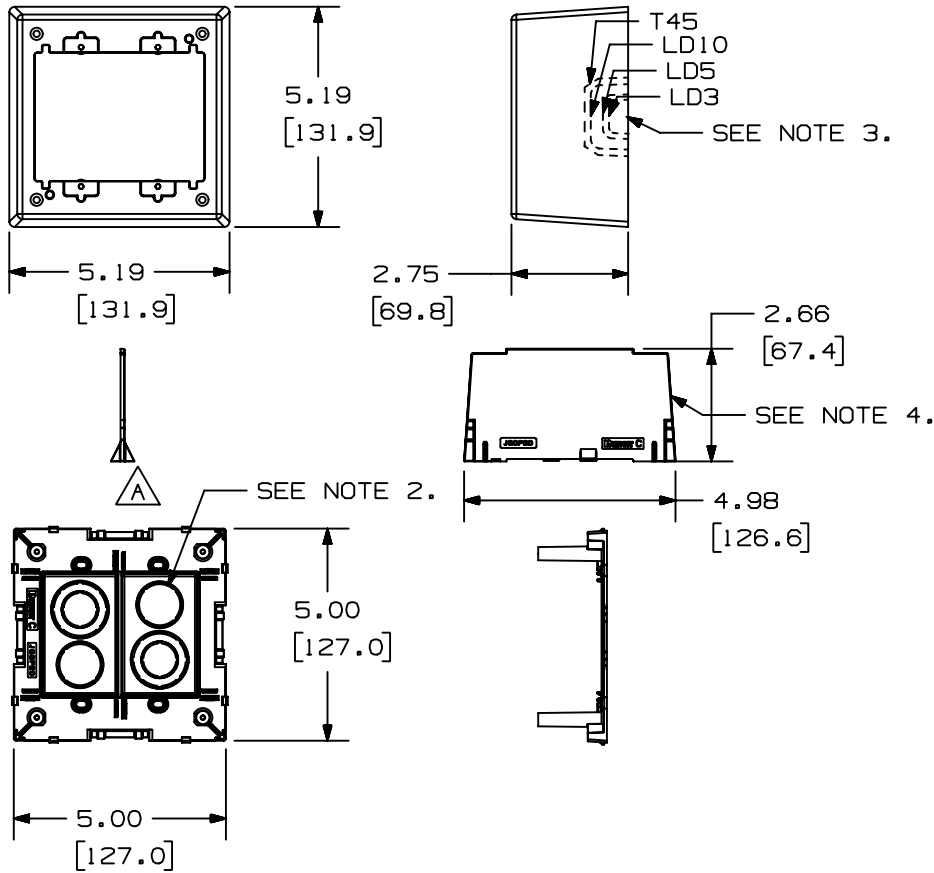


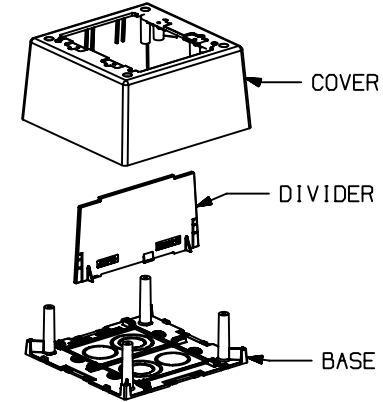
THIS COPY IS PROVIDED ON A RESTRICTED BASIS AND IS NOT TO BE USED IN ANY WAY DETRIMENTAL TO THE INTERESTS OF PANDUIT CORP.



PANDUIT P/N	WEIGHT
JBP2D	4.6 LB/10 PCS (2078 g/10 PCS)

NOTES:

1. SEE CURRENT CATALOG FOR ADDITIONAL PART SUFFIXES TO INDICATE COLOR AND OR PACKAGE QUANTITY.
2. CONCENTRIC BREAKOUTS TO ACCOMMODATE CONDUIT SIZES OF 1/2", 3/4", AND 1" DIAMETERS.
3. BREAKOUTS ARE PROVIDED ON ALL FOUR SIDES OF COVER.
4. DIVIDER PROVIDES POWER AND DATA SEPARATION IMMEDIATELY FROM RACEWAY.
5. DIMENSIONS IN PARENTHESES ARE IN METRIC.



CAD FILENAME/LAYERS: D35713BE\_DC\_JBP2D\_01

**PANDUIT** CORP. TINLEY PARK, ILLINOIS  
 PAN-WAY 2 GANG DEEP JUNCTION BOX WITH DIVIDER WALL (JBP2D)  
 CUSTOMER DRAWING

UNLESS OTHERWISE SPECIFIED, DIMENSIONAL TOLERANCES ARE:  
 (.X) ± .03 (.8) ANGLES ±

UNLESS OTHERWISE SPECIFIED, ALL DIMENSIONS ARE GIVEN IN INCHES, THIRD ANGLE PROJECTION.

REV	DATE	BY	CHK	DESCRIPTION	ECN	CHK	CUST	SUP
I	01-12-00	JHNUJAWA	A.	REVISED GEOMETRY FOR T45 BREAKOUT	35713-05	HIW	HIW	
R	10-27-97	DW	HIW	RELEASED TO PRODUCTION.	35713-05	HIW	HIW	

DRAWN BY DW	MAT'L: PVC	SCALE NONE
DATE 10-27-97	CHECKED BY HIW	DRAWING NO. 35713-05
		DWG A SIZE